

AWNINGS



HELLA

PRODUCTS
AND
INNOVATIONS
OF THE
HELLA GROUP

CONTENTS

Sun protection systems My house wears summer	04	VIVA 7040 Create your free space	12	C2 Subtle sun shade	22	The HELLA cover collection	28
HELLA Awnings Overview	06	CLEO 7040 A lot of shade in an elegant form	16	PAN 7040 Sun protection in upright format	24	HELLA	30
HELLA Innovations The quality is in the detail	08	CLEO 5530/7030 Nearly weightlessly	18	Design characteristics	26		
AREIA 7040 Beautiful and versatile	10	SOLA Convincing in price-performance	20	Control devices ONYX®	27		

AWNINGS



PROTECTION AND SHADE
FOR STYLISH
LIVING SPACES OUTDOORS



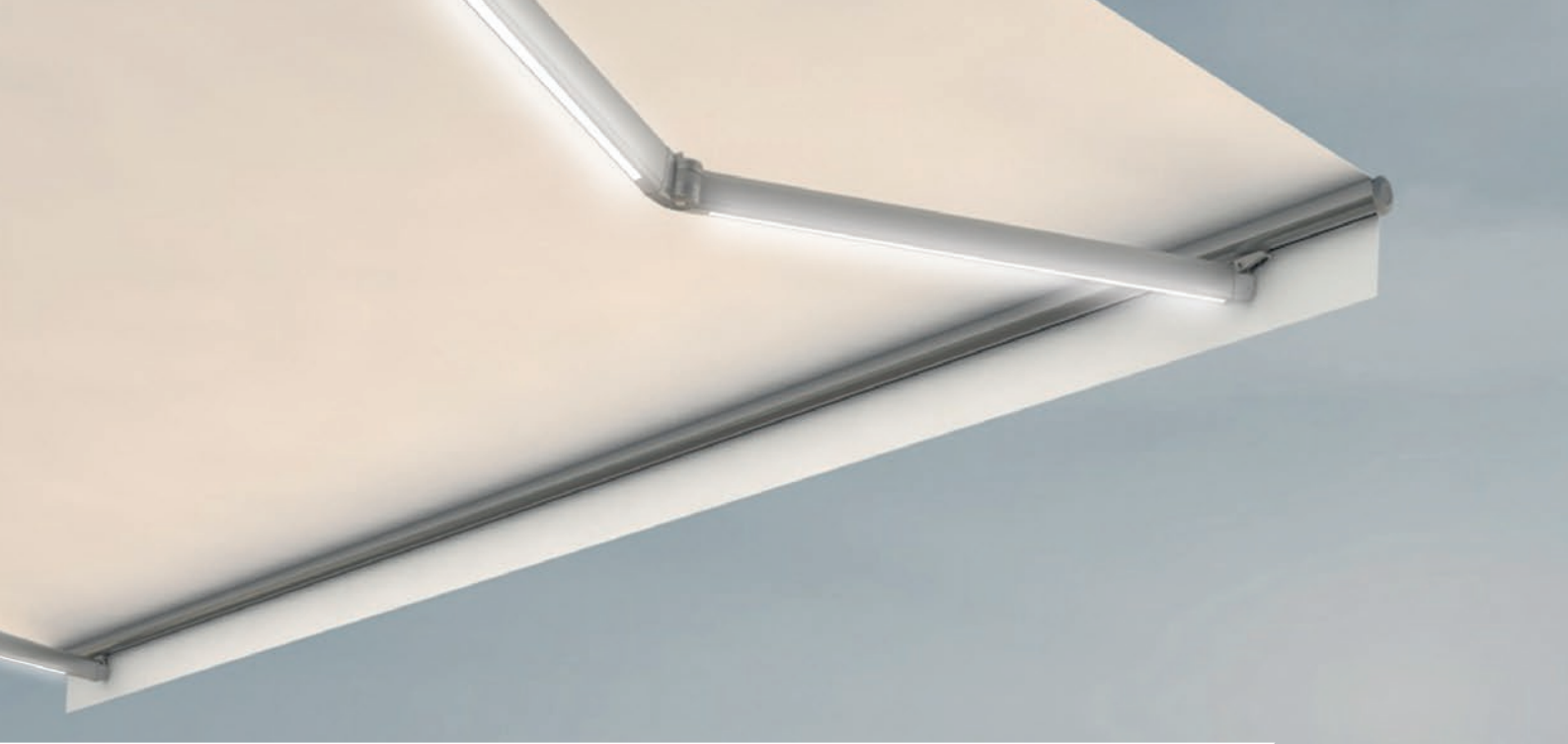
COMFORT, DESIGN AND SAFETY
SUN PROTECTION SYSTEMS FROM HELLA

MY HOUSE WEARS SUMMER.

Awnings from HELLA bring colours into your life and protect you against sun, wind and rain.

Our awnings are accurately manufactured down to the last detail and, due to intelligent features, create a lot of free space for relaxed "outdoor living".

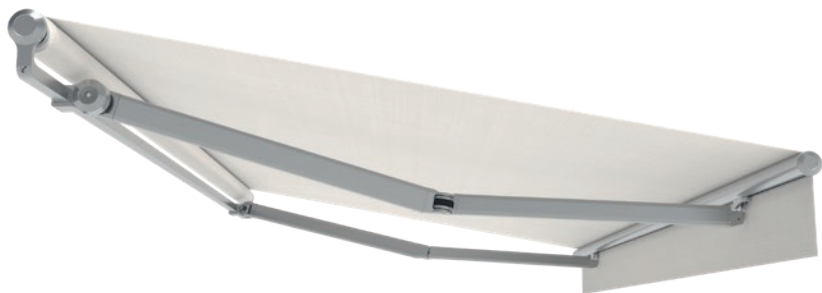




AWNINGS

Unlimited design options for architects and building owners. Mediterranean ease, alpine solidity, urban style, fancy or linear - the awning becomes a statement that emphasises the architecture and expands the built space functionally and aesthetically.





AREIA 7040

Is an all-round awning that visually demonstrates superior technology

VIVA 7040

Adapts to any architecture and provides many extras



CLEO 5530/7030/7040

Is a delicate and elegant looking awning with amazing characteristics

SOLA

Even as starter model it offers all the benefits of a high-quality awning



C2

Characteristic is its elegant, very flat box in which the cloth and technology are completely stowed away.

PAN 7040

Is an elegant and extravagant awning, with a straight-line aesthetic and is furthermore uncompromisingly functional.

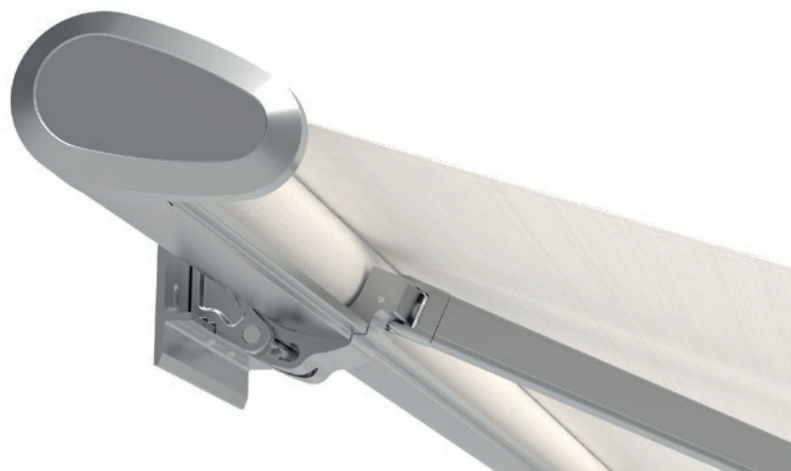


PERFECTION



Drop-forged aluminium for heavily loaded joints, high-tech pull cables or chains for the awning arms, inboard springs with noise damping, stainless steel screws in Teflon bushings, galvanized and powder coated steel components, profiles made of extruded aluminium.

THE QUALITY
IS IN THE DETAIL





HELLA awnings appear light and floating, almost as if they were weightless. Nevertheless they are considered to be one of the most stable solutions on the market. Slim, well-designed constructions that can be installed in a space-saving and flexible way, hide the latest technology. HELLA awnings meet the strict requirements of wind protection class 2.

ESPECIALLY STABLE



The hidden high-strength pull cable transfers the spring force to the folding arm and awning cover by means of noise-insulated special springs: The pull strap is very durable and has a high resistance against abrasion, moisture, UV radiation and chemicals.

Functional textiles of the latest generation absorb heat, reflect sun rays, are weather resistant, tearproof and permeable to air.

A VERY SPECIAL COVER



WELL CONSIDERED AND REALLY CONVENIENT

HELLA awnings make you want to enjoy life outdoors with many good ideas and convenient solutions:

- LED lighting that is artfully integrated in the folding arm
- Automatic wind, sun and rain sensors that automatically retract the cover
- Heater modules for the in-between season
- A roller blind that offers vertical visual cover and sun protection



AREIA 7040

BEAUTIFUL AND VERSATILE

AREIA 7040 is an all-round awning that visually demonstrates superior technology. Design details are elegantly shaped and part of the design concept, from the bearing mechanisms for the cover and arms up to the folding arms. This awning has a slim profile, a very high stability and an impressive functionality. If desired, the AREIA 7040 can be linked, can be provided with LEDs to create a pleasant "Luminaire", and in combination with the HELLA Varioplus roller blind, it protects very well against nosy glances.



DESIGN

- Made to measure
- Crank handle
- Motor
- HELLA colour worlds
- 200 designs
- Valance
- High-strength pull strap
- Inclination 5°-60°
- Wall, ceiling and rafter installation

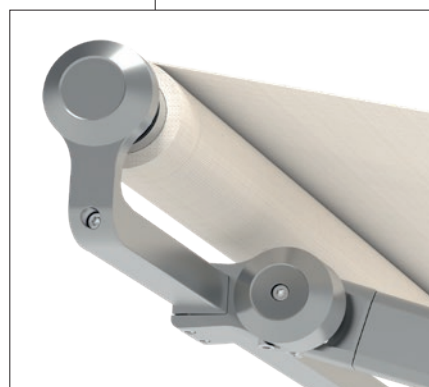
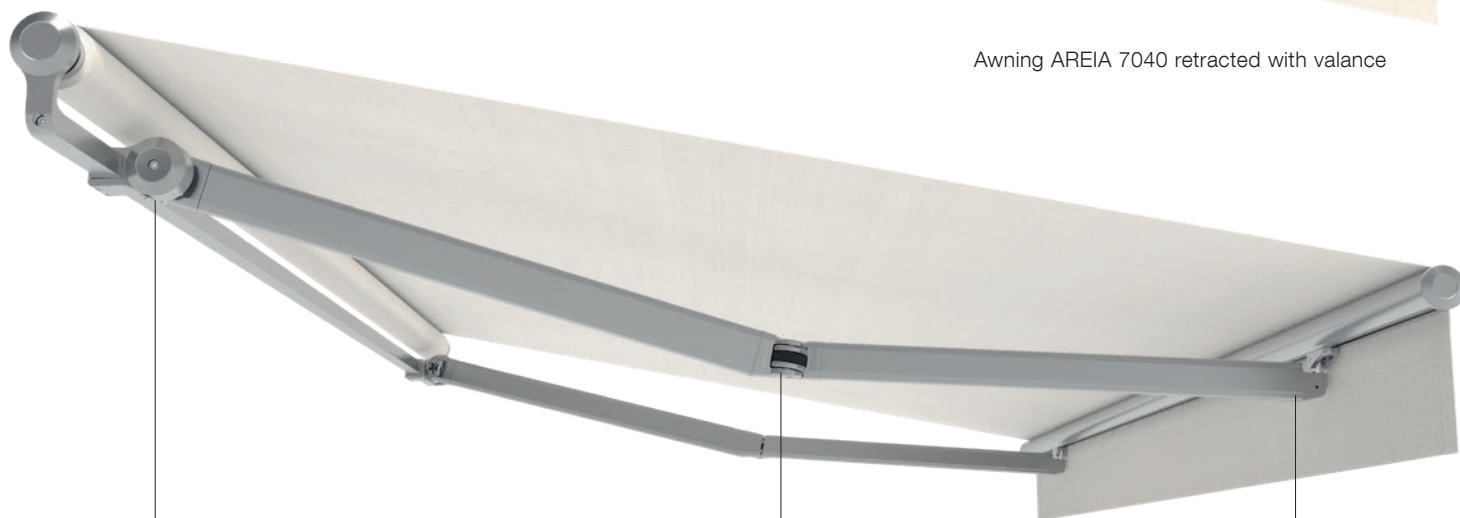
OPTIONS

- Remote control
- Wind sensor
- Wind-sun sensor
- Rain sensor
- Textured colours
- LED in the folding arm
- Heater
- Varioplus roller blind
- Can be linked (2 units with continuous cover)
- Rain shelter

DESIGN & QUALITY IN DETAIL



Awning AREIA 7040 retracted with valance



Lateral view with
stable arm support



Folding arm with hidden,
high-strength pull tape,
optionally available with integrated LED lighting



stable connection
to the front rail

Limit sizes with sloping projection [mm]	1500	2000	2500	3000	3500	4000
Maximum width						
Single unit	7000	7000	7000	7000	7000	7000
Linked unit	14000	14000	14000	14000	14000	14000
Minimum width						
Single unit	2080	2580	3080	3580	4160	4660
Linked unit	4120	5120	6120	7120	8100	9280



VIVA 7040

CREATE YOUR OUTDOOR SPACE

The awning VIVA 7040 adapts to any architecture and provides many extras. The model variation VIVA plus is perfected with a roof and the variation VIVA super with an additional cover tray profile, which protect the awning covers from wetness. Depending on its size, it is possible to conveniently adjust the inclination angle of the VIVA 7040 with the help of a crank handle (Variomatic) or a motor drive (Variotronic), even if it is already mounted. A look at the available options shows: The VIVA 7040 is suitable for nearly all applications.

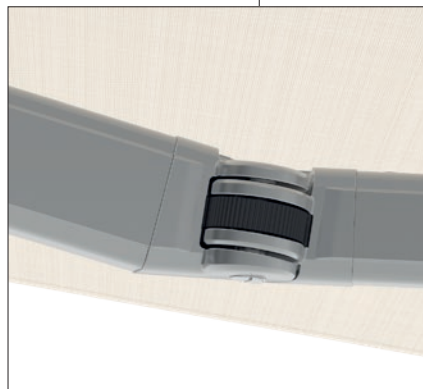
Limit sizes with sloping projection [mm]	1500	2000	2500	3000	3500	4000
Maximum width						
Single unit	7000	7000	7000	7000	7000	7000
Linked unit	14000	14000	14000	14000	14000	14000
Minimum width						
Design maxima	1490	1740	1990	2240	2490	2740
Single unit	1980	2480	2980	3480	3980	4670
Linked unit	4040	5040	6040	7040	8040	9340

The limit sizes apply for all VIVA 7040 awnings.

DESIGN & QUALITY IN DETAIL



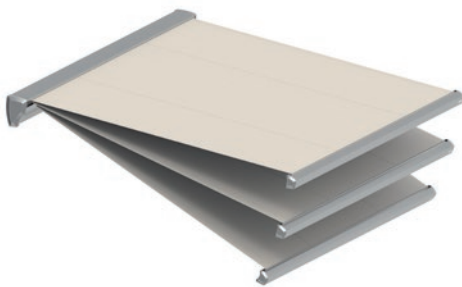
Lateral view with stable arm support and optionally available central inclination adjustment.



Folding arm with hidden, high-strength pull tape



stable connection to the front rail

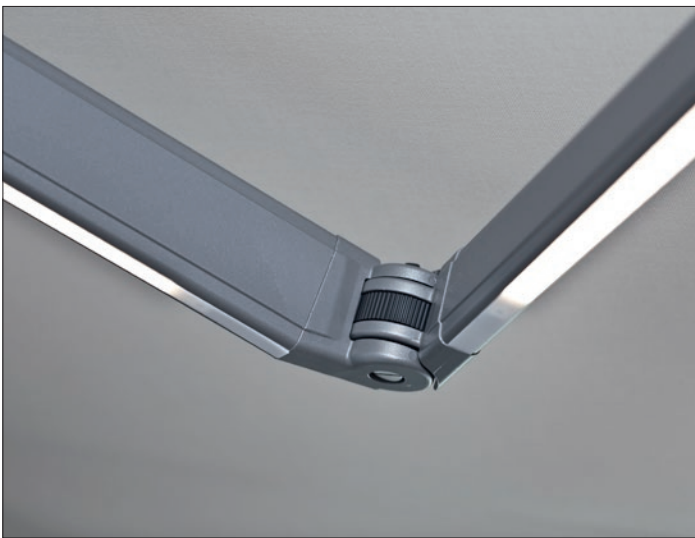


The angle of inclination of the awning VIVA 7040 is optionally adjustable by means of a motor or operating handle.



The folding arm with LED optimally illuminates the area underneath the awning.

VIVA plus super



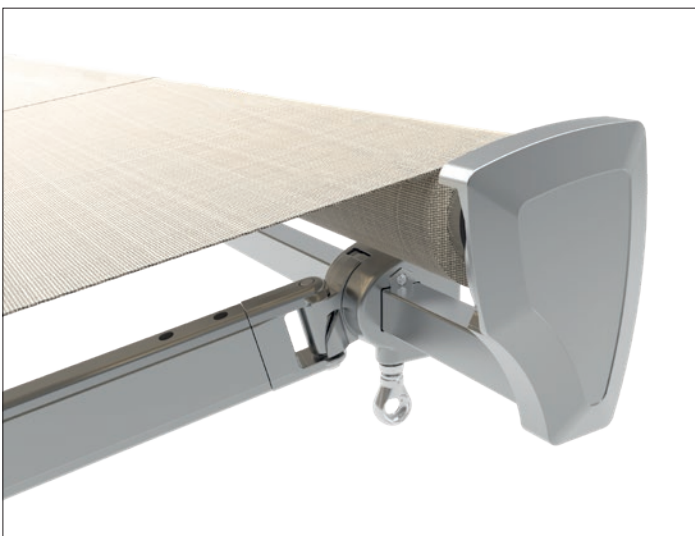
visually reduced, stable folding arm with hidden high-strength pull tape, optionally available with integrated LED lighting

DESIGN

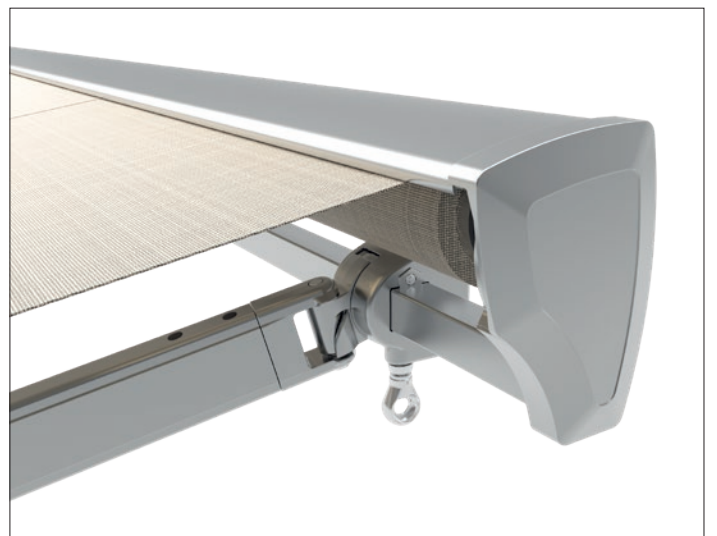
- Made to measure
- Crank handle
- Motor
- HELLA colour worlds
- 200 designs
- Valance
- High-strength pull strap
- Inclination 0°-40°
- Wall, ceiling and rafter installation

OPTIONS

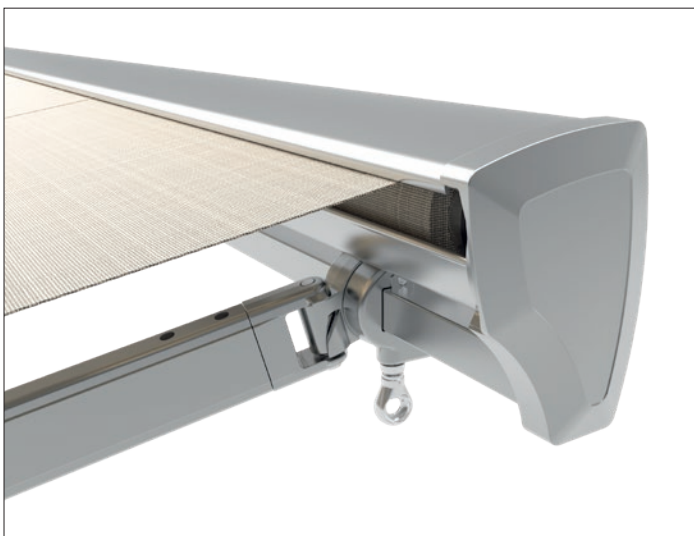
- Remote control
- Wind sensor
- Wind-sun sensor
- Rain sensor
- Textured colours
- LED in the folding arm
- Heater
- Varioplus roller blind
- Arm covering profile
- Can be linked
(2 units with continuous cover)
- Inclination adjustment with operating handle, Variomatic
- Inclination adjustment with motor, Variotronic
- VIVA plus with upper covering profile
- VIVA super with cover tray profile
- Wall connection profile



Open awning VIVA 7040



Awning VIVA plus 7040 with upper covering profile



Awning VIVA super 7040
with upper covering profile and fabric tray profile



Awning VIVA super 7040 retracted
with arm covering profile



CLEO 7040

A LOT OF SHADE IN
AN ELEGANT FORM

With a maximum width of seven metres and a maximum projection of four metres, this awning is a generous sun shade, but has nevertheless an elegant and lightweight appearance. A visual and structural masterpiece of modern awning architecture.



DESIGN & QUALITY IN DETAIL

DESIGN

- Made to measure
- Crank handle
- Motor
- HELLA colour worlds
- 200 designs
- High-strength pull strap
- Inclination 5°-40°
- Wall, ceiling and rafter installation

OPTIONS

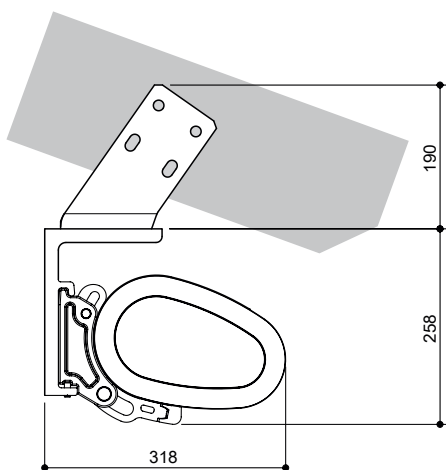
- Remote control
- Wind sensor
- Wind-sun sensor
- Rain sensor
- Textured colours
- LED in the folding arm
- Heater



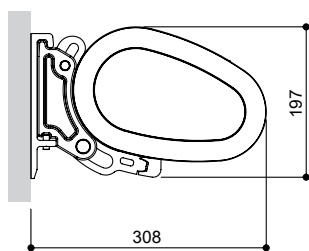
Awning CLEO 7040 retracted



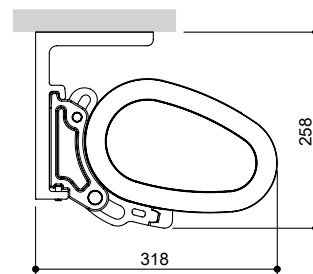
visually reduced, stable folding arm with hidden high-strength pull tape, optionally available with integrated LED lighting



Rafter installation



Wall installation



Ceiling installation

Limit sizes with sloping projection [mm]	1500	2000	2500	3000	3500	4000
Maximum width						
Single unit	7000	7000	7000	7000	7000	7000
Minimum width						
Single unit	2170	2670	3170	3670	4170	4670



CLEO 5530/7030

CLEO is a gentle and elegant looking awning with amazing characteristics. The slim, nicely shaped construction, whose oval cassette enables a space saving installation, seems to hover, when it is nearly weightlessly opened or closed. Exterior brackets for wall and ceiling installation, as well as its lightweight construction make this awning exceptionally flexible. An inclination adjustment up to 80° is feasible, when the CLEO 5530 is fixed to the ceiling.



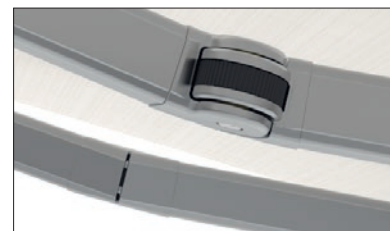
DESIGN

- Made to measure
- Crank handle
- Motor
- HELLA colour worlds
- 200 designs
- High-strength pull strap
- Inclination:
 - 5°-45° (CLEO 7030)
 - 5°-65° wall installation (CLEO 5530)
 - 5°-80° ceiling or rafter installation (CLEO 5530)
- Wall, ceiling and rafter installation

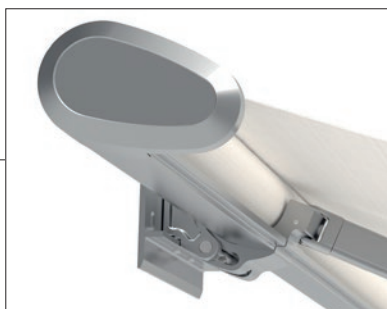
OPTIONS

- Remote control
- Wind sensor
- Wind-sun sensor
- Rain sensor
- Textured colours
- Heater

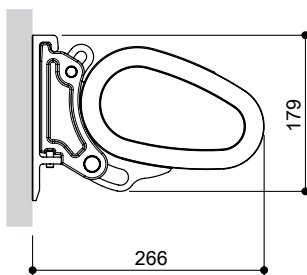
DESIGN & QUALITY IN DETAIL



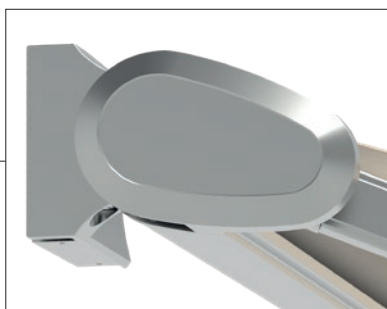
visually reduced, stable folding arm with hidden high-strength pull tape



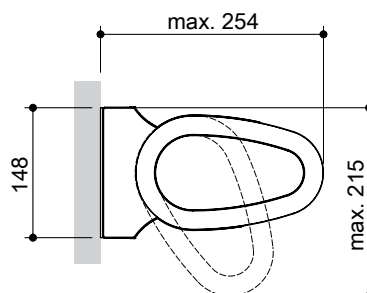
Lateral view CLEO 7030



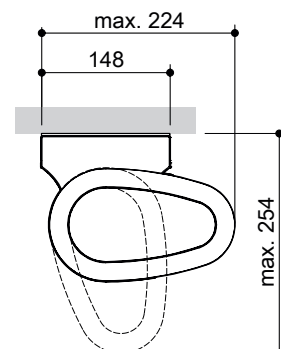
CLEO 7030



Lateral view CLEO 5530



with wall installation 5°-65°
CLEO 5530



with ceiling installation 5°-80°
CLEO 5530

CLEO 5530

Limit sizes with sloping projection [mm]	1500	2000	2500	3000
Maximum width				
Single unit	5500	5500	5500	5500
Minimum width				
Single unit	1930	2430	2930	3430

CLEO 7030

Limit sizes with sloping projection [mm]	1500	2000	2500	3000
Maximum width				
Single unit	7000	7000	7000	7000
Minimum width				
Single unit	2100	2600	3100	3600



SOLA

CONVINCING PRICE-PERFORMANCE RATIO

Even as a starter model, the open awning SOLA offers all the benefits of a high-quality awning: easy operation, solid design and an attractive styling. It is custom-made up to a width of six metres and a sloping projection of three metres.



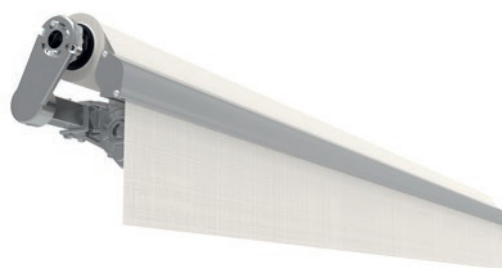
DESIGN

- Made to measure
- Crank handle
- Motor
- White or silver
- 200 designs
- Glass fibre tape
- Inclination 5°-60°
- Wall, ceiling and rafter installation

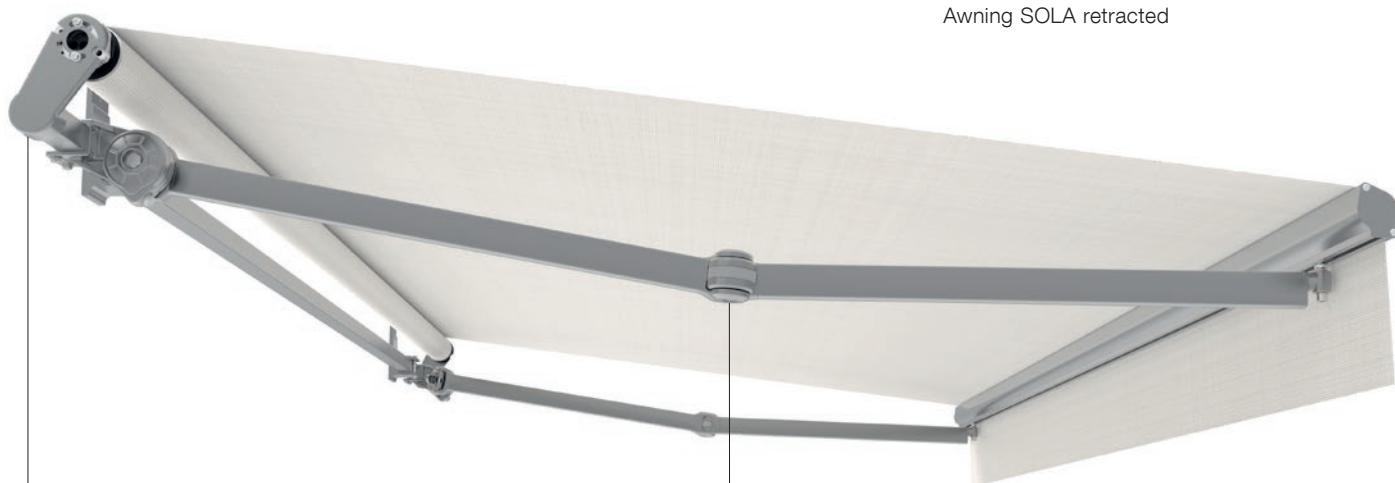
OPTIONS

- Remote control
- Wind sensor
- Wind-sun sensor
- Rain sensor
- Heater

DESIGN & QUALITY IN DETAIL



Awning SOLA retracted



Lateral view



Folding arm with hidden, high-strength pull tape

Limit sizes with sloping projection [mm]	1500	2000	2500	3000
Maximum width				
Single unit	6000	6000	6000	6000
Minimum width				
Single unit	2060	2460	2980	3460



C2

SUBTLE SUN SHADE

One characteristic feature of this awning is its elegant, very flat box, where the cover and the technology can be stored completely. The C2 is a powerful, sun shade that impresses with its functional and uncompromising modern design. This awning is modular linkable and perfectly suitable to shade large surfaces. If it is equipped with a Varioplus roller blind, it can also vertically define free space and provide protection.

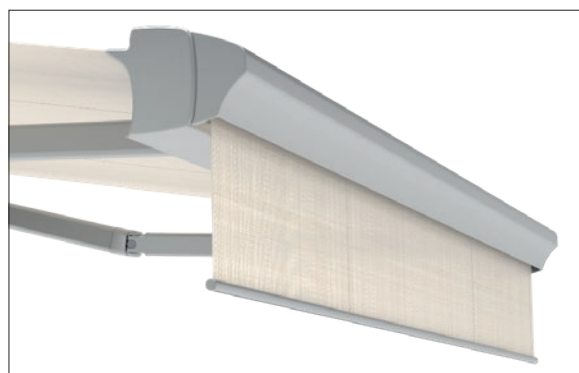
Limit sizes with sloping projection [mm]	1500	2000	2500	3000	3500	4000
Maximum width						
Single unit	7000	7000	7000	7000	7000	7000
Linked unit	14000	14000	14000	14000	14000	14000
Minimum width						
Single unit	2000	2500	3000	3500	4000	4500
Linked unit	4000	5000	6000	7000	8000	9000

DESIGN

- Made to measure
- Crank handle
- Motor
- HELLA colour worlds
- 200 designs
- Chain arm
- Inclination 5°-40°
- Wall, ceiling and rafter installation

OPTIONS

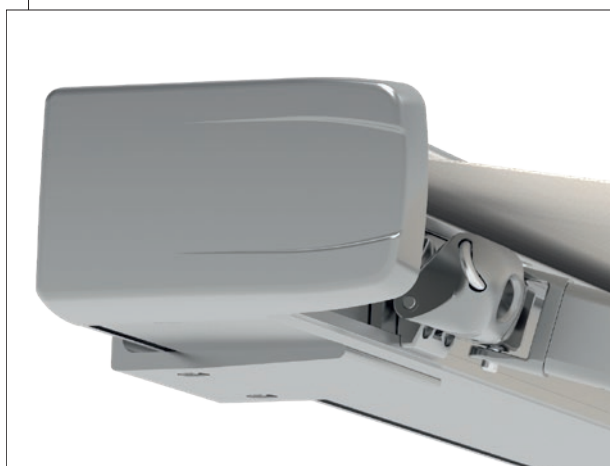
- Remote control
- Wind sensor
- Wind-sun sensor
- Rain sensor
- Valance
- Textured colours
- Varioplus roller blind
- Wall connection profile
- Heater



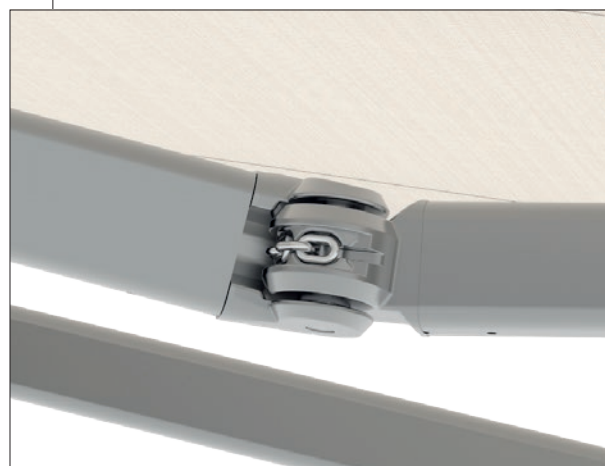
Awning C2 with Varioplus roller blind

DESIGN & QUALITY
IN DETAIL

Awning C2 retracted



Lateral view



Folding arm with chain link



PAN 7040

SUN PROTECTION IN UPRIGHT FORMAT



PAN 7040 is an elegant and extravagant awning, with a straight-line aesthetic and is furthermore uncompromisingly functional. It rolls up towards the top and is then completely hidden in an uprightly mounted, plain box. For puristic architecture concepts and people with a special design standard, PAN 7040 is the custom-made sun and weather protection that becomes a stylish outdoor light source when it is provided with LED lights flushly integrated in the folding arms.

DESIGN

- Made to measure
- Motor
- HELLA colour worlds
- 200 designs
- High-strength pull strap
- Inclination 5°-40°
- Wall installation

OPTIONS

- Remote control
- Wind sensor
- Wind-sun sensor
- Rain sensor
- Textured colours
- LED in the folding arm
- Heater



Awning PAN 7040 retracted



Lateral view



Folding arm with hidden, high-strength pull tape, optionally available with integrated LED lighting



stable connection to the front rail

Limit sizes with sloping projection [mm]	1500	2000	2500	3000	3500	4000
Maximum width						
Single unit	7000	7000	7000	7000	7000	7000
Minimum width						
Single unit	2170	2670	3170	3670	4170	4670

PRODUCT SPECIFICATIONS



LED LIGHTING

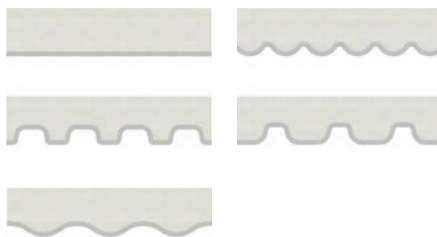
The awning lighting LED is optionally available for the awnings AREIA 7040, VIVA 7040, CLEO 7040 and PAN 7040. Integrated on the bottom side of the folding arms, warm-white ambient light illuminates the place below the awning. LEDs are dimmable, have a long lifespan and are extremely energy-efficient. You can conveniently control the awning lighting LED via radio control. The cables are to the greatest possible extent discreetly hidden in the construction of the awning.

LINKAGE



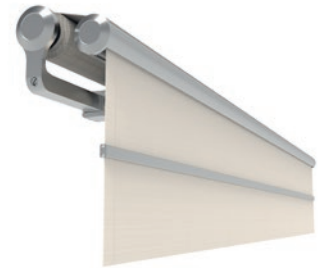
Some HELLA awnings can be linked to obtain larger overall widths; available with AREIA 7040, VIVA 7040 and C2

VALANCE



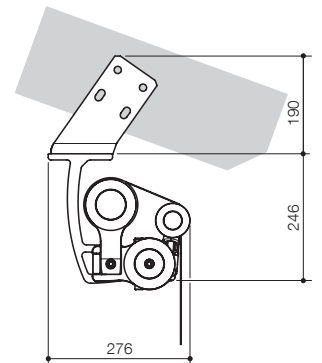
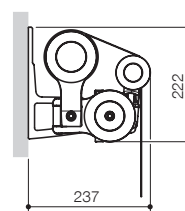
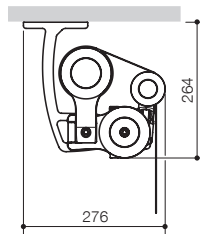
Individual valance shapes and bordering strips matching the awning cover

VARIOPLUS ROLLER BLIND



Integrated in the front rail, as additional sun protection and visual cover, can be lowered to 2500 mm depending on awning, drive and cover selection; available for AREIA 7040, VIVA 7040 and C2

TYPES OF INSTALLATION



	Ceiling installation	Wall installation	Rafter installation
AREIA 7040	■	■	■
VIVA 7040/VIVA plus 7040/VIVA super 7040	■	■	■
CLEO 7040	■	■	■
CLEO 5530	■	■	■
CLEO 7030	■	■	■
SOLA	■	■	■
C2	■	■	■
PAN 7040		■	

ONYX[®]

THE SMART HOME SYSTEM FROM HELLA

The Smart Home System ONYX.HOME was specially developed for the operation of sun protection products. Venetian blinds, outdoor blinds, awnings and roller shutters are conveniently controlled via smart phone, tablet, hand-held radio transmitter or even fully automatically.

All sun protection products are graphically displayed in the free ONYX[®] app. The position of the sun screen is already visible during control. All products can be visually marked with colours in the app. In addition, it is possible to assign names for each individual cover for easier identification and operation.

Controlling the sun protection products via pushbutton or the hand-held radio transmitter ONYX.CLICK is also possible. This gives children or guests, who have no access to the app, the possibility to operate the sun protection product.



ADVANTAGES

Your HELLA benefits for this product:

- Easy configuration: scan and get started
- Live feedback on position and movement of the sun protection product
- Automatic functions are individually adjustable for each sun protection unit (wind/sun/astro/time/twilight)
- Also easy and inexpensive for renovation
- Security through transparent access control
- Routing function for the best possible data transmission due to reliable forwarding of the signals
- Secure encryption between devices and smartphone/tablet



ONYX.CENTER

The center box serves as an interface between smart phone and the individual control devices and communicates via a wireless radio connection. It transmits radio commands bidirectionally so that the exact current position of the sun screen is displayed via the live feedback in the app.



ONYX.CLICK

ONYX.CLICK is the hand-held radio transmitter for the control of sun protection products. It serves as an extension for the center box ONYX.CENTER, but it can also be used without the box in stand-alone operation.



THE HELLA COVER COLLECTION

TECHNICAL FABRICS FOR SPECIAL REQUIREMENTS FOR HEAT, VISION AND GLARE PROTECTION

ACRYLIC COVER

HELLA acrylic fabrics consist of a 100% dope-dyed branded acrylic fabric and impress especially with their textile character

- Light and weather resistant
- Highest colour brilliance and colour fastness
- Excellent view protection
- Dirt repelling and resistant to rotting
- Tearproof and durable
- Seven colour worlds
- Quality Lumera with specifically developed fibre, for especially bright colours. In addition the very smooth and dense surface reduces the staining.

POLYESTER COVER PVC-COATED

Fabric made of polyester yarn, pre-stretched in both directions and PVC-coated (Preconstraint process).

- Excellent heat protection thanks to micro ventilation
- Excellent weather and UV resistance
- Wide range of colours
- High form stability and tearing strength
- Large variety of openness factors
- Fire protection class B1 acc. to DIN 4102-1

POLYESTER COVER

A high-quality fabric from our cover collection, that is both completely made of dope-dyed yarns and 100% free of PVC.

- High form stability and very good resilience
- High tearing strength
- Colours of extraordinary brilliance and intensity

POLYESTER COVER PVC-FREE

View protection and anti-glare fabrics based on the latest manufacturing technology, that additionally are 100% free of PVC .

- Nice look due to its textile character
- Excellent view to the outside
- Odour-free
- Increased heat protection with aluminised fabrics
- Certain fabrics available with fire protection class B1 acc. to DIN 4102-1.

Special fabric types available on request.

THE NEW COVER COLLECTION

The new collection from HELLA has the demand to give its customers the best choice. With covers for every use, every occasion and every desire.

Our products have two functions: They must protect - against sun, wind, rain and dirt, and must be tearproof and of high quality. They have to please the customer - in design, pattern and colours. Therefore we created a new world of colours for our collection that leaves no wishes unfulfilled.

Nine theme worlds of the cover collection for awnings, conservatory blinds and under-glass awnings as well as facade blinds give proof of HELLA's keen sense on patterns and colours. You have the choice between new modern designs as well as popular and proven classics.

With more than 200 designs HELLA presents a collection for good taste. It offers latest designs with up-to-date patterns in convincing visual appearance.

**COLOURFUL
LIGHTFAST
WEATHER RESISTANT**



You want to see all of this?
Then scan the opposite QR
code!





The long-established company HELLA

is one of the leading European manufacturers of sun and weather protection systems and stands for functional innovations, visionary design and maximum customer benefit. The world of sun and weather protection is constantly changing due to numerous patented developments.

From the first venetian blind that was produced in East Tyrol in 1959 to the high-tech control devices for the intelligent house of the future, we are driven by only one desire: To develop something really good. Since then the brand HELLA convinces with innovative strength and a large variety of products - all of top quality and perfect function. Today, HELLA is an internationally significant initiator for the development of sustainable systems for sun and weather protection. Whether for a single-family home or a large project - we are always close to our customers.

HELLA is always an original - innovative and made-to-last.

HELLA has created new standards through ground-breaking technologies. Our products have the quality of the original product. They are sophisticated and sustainable and produced in modern, environmentally friendly plants.

PARTNERSHIP WITH HANDSHAKE QUALITY

Your HELLA benefits

- Perfect support due to many specialist shops and selected retail partners
- High-quality expert advice from qualified sales assistants
- Best price-performance ratio
- Service provided by trained technicians
- Comprehensive guarantees
- Finest product quality due to development and production at our own premises
- Ecologically oriented quality with maximisation of energy savings
- Successful since 1959



HELLA
Awnings

www.hella.info

HELLA